

2010

Tacoma



 **TOYOTA**
make things better



A

Tacoma



Part workhorse. Part amusement park. Tacoma's versatility is another example of how we make things better. It remains one of the most functional pick-ups on the road, with an unbeatable reputation for toughness and reliability.

Whether you're in an Access Cab or a Double Cab, you'll discover that the 2010 Tacoma has the power and strength to take on any task or adventure.



FRONT COVER
4x4 Double Cab V6
shown in Barcelona Red
Metallic.

A. 4x4 Access Cab V6 with
TRD Off-Road Package
shown in Silver Streak Mica.

Access Cab

Difficult situations call for a truck that can adapt to anything. The Tacoma Access Cab is available with a 159 hp 4-cylinder engine in a 4x2 or 4x4 model or a powerful 236 hp V6 engine in a 4x4. Loaded with value-laden standard features and a 4x2 payload capacity up to 567 kg (1250 lb), Tacoma provides the comfort and power to take you through any heart-stopping adventure.

FUEL CONSUMPTION²

11.0 City/7.9 Highway L/100 km
4x2 2.7-litre, 4-cylinder with automatic transmission

SELECT FEATURES

- 236 hp, 4.0-litre, V6, DOHC, 24-valve, VVT-i engine with standard 6-speed manual or optional 5-speed automatic transmission.
- 159 hp, 2.7-litre, 4-cylinder, DOHC, 16-valve, VVT-i engine with standard 5-speed manual or optional 4-speed automatic transmission.
- Vehicle Stability Control (VSC) and Traction Control (TRAC).
- Power-assisted, ventilated front disc and rear drum brakes.
- AM/FM CD/MP3/WMA player with 6-speakers.
- Air conditioning – optional on 4x2.
- 4-spoke tilt, telescopic steering wheel.
- 4-door pillarless entry to rear jump seats with fold-up rear seat cushions.
- Engine immobilizer.



A. 4x4 Access Cab with TRD Off-Road Package shown in Black Sand Pearl. **B.** The stylish Access Cab cockpit.

Double Cab

The Tacoma 4x4 Double Cab perfectly balances comfort, power and playfulness. Available with a 6-speed manual or 5-speed automatic transmission, the Double Cab packs a powerful 236 hp V6 engine and 266 lb. ft. of torque to help you make short work of the most unforgiving terrain. With the available TRD Sport Package, Tacoma turns any unyielding landscape into a level-playing field.

FUEL CONSUMPTION²

13.4 City/9.9 Highway L/100 km
4x4 4.0-litre, V6 with automatic transmission

SELECT FEATURES

- 236 hp, 4.0-litre, V6, DOHC, 24-valve, VVT-i engine with sequential multiport electronic fuel injection.
- Power-assisted, ventilated front disc and rear drum brakes, Antilock Braking System (ABS).
- 6-speed manual transmission with overdrive or 5-speed automatic transmission with overdrive.
- AM/FM CD/MP3/WMA player, audio auxiliary input jack, 6-speakers.
- Air conditioning with rear seat heated ducts.
- Front fabric bucket seats.
- 60/40 split rear bench seat, fold-down seat back with all-position vertically adjustable headrests.
- Power windows with driver side auto-down.
- 5-passengers.
- Light Emitting Diode (LED) Rear Taillamps.
- 4-spoke tilt, telescopic steering wheel.
- Behind rear seat storage.
- Engine immobilizer.
- Composite (SMC) cargo bed.



A. 4x4 Double Cab V6 shown in Barcelona Red Metallic. **B.** Enjoy the comforts of the Double Cab interior shown in Sand Beige, which offers more than enough room for you and your passengers.

Performance

Rolling foothills and winding paths to parts unknown. These are just some of the places Tacoma's trail-tuned and trail-blazing suspension was built to conquer. Tacoma's 4.0-litre, V6, DOHC, 24-valve engine churns out 236 horses and 266 lb.ft. of torque, not to mention a whole lot of sand and mud. Combined with the TRD Off-Road or Sport Package (optional on 4X4 only), you've got a truck with sure-foot handling that can get you and your friends wherever you want to go.

PAYLOAD CAPACITY³

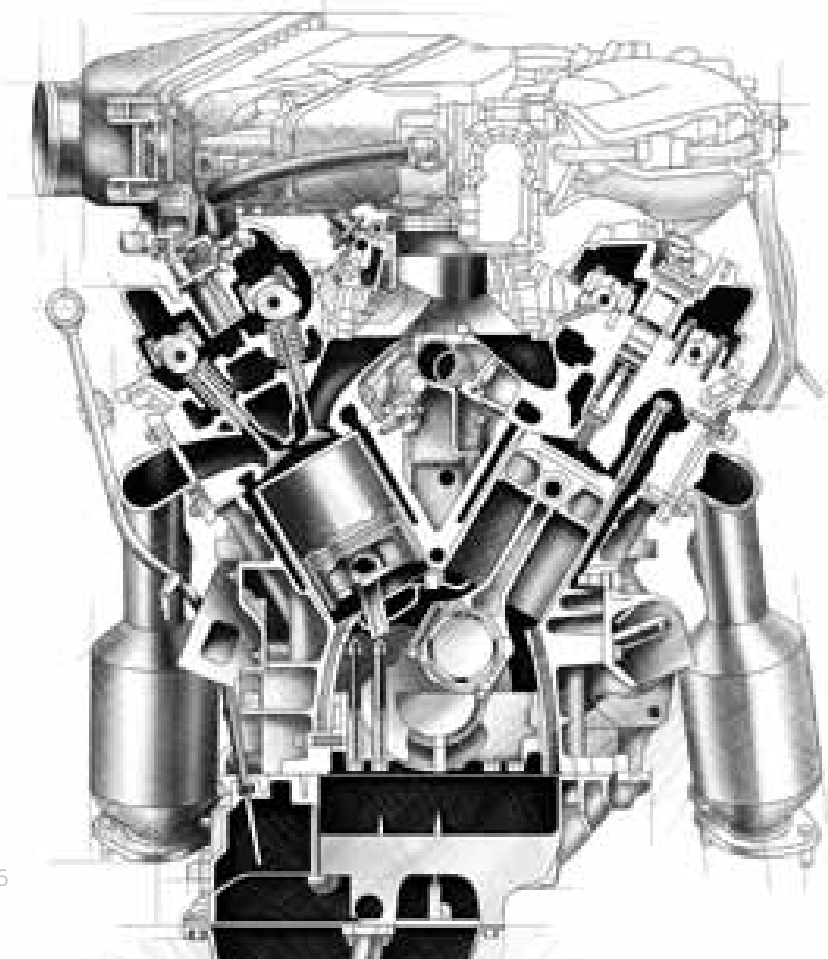
Double Cab -
 4x4 automatic transmission
 - 522 kg (1150 lb).
 4x4 manual transmission
 - 544 kg (1200 lb).

Access Cab
 4x2 - 567 kg (1250 lb).
 4x4 4-cylinder - 655 kg (1444 lb).
 4x4 V6 - 547 kg (1205 lb).

TOWING CAPACITY

Double Cab
 4x4 - 2268 kg (5000 lb).
 4x4 - 2948 kg (6500 lb) - optional.

Access Cab
 4x2 - 1587 kg (3500 lb).
 4x4 4-cylinder - 1587 kg (3500 lb).
 4x4 V6 - 2268 kg (5000 lb).
 4x4 V6 - 2948 kg (6500 lb) - optional.



A. 4x4 Access Cab V6 with TRD Off-Road Package shown in Magnetic Grey Metallic.
B. Tacoma's V6 engine.

PENTROOF COMBUSTION CHAMBER

Positioning the spark plug in the centre of the combustion chamber allows for a cleaner, more efficient burn, thereby increasing engine performance.



BILSTEIN SHOCKS AND VENTILATED DISCS Available Bilstein shocks take the edge off the bumps while the ventilated discs help with sure stops.



RIGID BOX FRAME CONSTRUCTION

With its 203 mm cross members, beefed-up centre side rails, and rear inner-channel reinforcements, Tacoma's rigid frame can stand up to virtually any challenge.

Safety

Standard on all 2010 models are side curtain and front seat-mounted side airbags plus Automatic Vehicle Stability Control (VSC) which identifies loss of traction and acts automatically to help maintain directional stability. Traction Control (TRAC) employs brake and throttle control to help reduce wheelspin and transfer torque to the wheel with the most traction. Should the wheels begin to lock-up during urgent braking, the standard 4-wheel Antilock Brake System (ABS) helps maintain steering control. Electronic Brake-force Distribution (EBD) optimizes the amount of brake force applied to each wheel, while Brake Assist (BA) applies additional brake pressure in the event of an emergency stop.



SELECT FEATURES

- Driver and front passenger airbag, front seat-mounted side airbags, roll-sensing front and rear head/side curtain airbags Supplemental Restraint System (SRS).¹
- Standard 4-wheel Antilock Braking System (ABS) with Electronic Brake-force Distribution (EBD) and Brake Assist (BA).
- Vehicle Stability Control (VSC), Traction Control (TRAC).
- Active front headrests.
- Adjustable front shoulder anchors.
- Front seatbelt pre-tensioners with force limiters.
- 3-point front seatbelts: driver side Emergency Locking Retractors (ELR), front passenger side Automatic/Emergency Locking Retractors (ALR/ELR).
- 3-point rear seatbelts with Automatic/Emergency Locking Retractors (ALR/ELR).
- Child restraint tether anchors.
- Child protector rear door locks (Double Cab).
- Side-impact door beams.

Toyota Quality

Quality is built right into the production process from the selection of raw materials, right down to the vehicle's final inspection. And it is the responsibility of everyone to ensure the highest quality possible on each and every vehicle. It's through Toyota's philosophy of 'Kaizen' that we are always looking for ways to continually improve. That's how we make things better.

THE TOYOTA PRODUCTION PROCESS is one that is constantly evolving. With our "Just-In-Time" practice, the goal is to make certain that during the manufacturing process, only what is needed gets produced. The result is twofold: because there's no excess supply, any issues are exposed and promptly resolved to ensure that everything off of the Toyota assembly line is of exceptional quality.



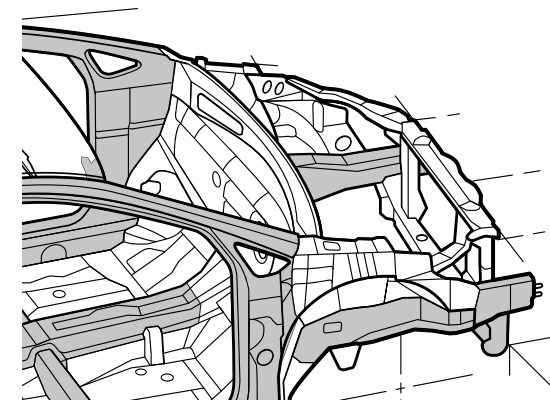
THE HUMAN TOUCH. As impressive as the machinery is, the achievement of perfect fit and finish is also the result of continuous human touch for every step of the way.

SOUND PROOFING TECHNOLOGY. Our Toyota team seeks out every source of noise within the vehicle and works to ensure that they are no longer an issue. This is achieved by using a network of complex sound-absorbing and vibration-damping materials to isolate our interiors from the outside.

TOYOTA CANADA COLD RESEARCH CENTRE. Located in Timmins, Ontario, our teams simulate Canadian winter conditions at our cold weather testing track to make certain that our vehicles remain dependable throughout the long winter months.



TOYOTA'S COMMITMENT TO QUALITY is evident by the frequent awards won by Toyota vehicles, the Canadian manufacturing plants, as well as the millions of satisfied customers who continue to choose Toyota vehicles year after year. For more information visit toyota.ca



2010 Colours



040 Alpine White^{AC}



1E7 Silver Streak Mica^{AC}



1G3 Magnetic Grey Metallic^{AC}



209 Black Sand Pearl^{AC}



3R3 Barcelona Red Metallic^{AC}



4T3 Pyrite Mica^B



6T8 Timberland Mica^B



8P1 Speedway Blue^{AC}

Interior colour options

^A Grey Fabric.

^B Sand Beige Fabric.

^C Grey Leather.

Please see your Toyota Dealer for details.

New vehicle warranty summary

NO DEDUCTIBLES – NO TRANSFER FEES

COMPREHENSIVE COVERAGE - 3 YEARS OR 60,000 KM This warranty includes 24 hour Roadside Assistance and other benefits, as well as coverage of repairs on any part of the vehicle that is defective in material or workmanship under normal use and maintenance. Different warranties apply to original tires.

POWERTRAIN COMPONENTS - 5 YEARS OR 100,000 KM This warranty covers repairs to powertrain components that are defective in material or workmanship under normal use and maintenance.

MAJOR EMISSION CONTROL COMPONENTS - 8 YEARS OR 130,000 KM This warranty covers repairs to specified major emission components that are defective in material or workmanship under normal use and maintenance.

CORROSION PERFORATION - 5 YEARS UNLIMITED DISTANCE Any sheet metal found, under normal use, to have developed a perforation from corrosion due to defects in material or workmanship.

Accessories

Personalize your vehicle to enhance its appearance and performance with Toyota Accessory Parts. Your Toyota Dealer can help you select the right accessories to suit your individual style. Many of Toyota's Accessory Parts can be residualized or advanced through Toyota Financial Services when purchased at the time of a new vehicle sale, and all are backed by a Toyota Warranty. To view a complete list of accessories specifically designed for your vehicle, visit customizeyourtoyota.ca, your local Dealer or toyota.ca.

Personalize your Tacoma with interior and exterior accessories that suit your individual needs.

- | | |
|--------------------------|---------------------------------|
| INTERIOR | Security System |
| All-Season Mats | Side Step Bars |
| Ashtray | Towing Accessories |
| Bluetooth® | |
| Emergency Assistance Kit | BED ACCESSORIES |
| First Aid Kit | Bed Divider |
| Owners Manual Wallet | Bed Extender |
| Satellite Radio | Bed Mat |
| Sport Pedals | Bed Rail w/Cleats |
| | Cargo Net |
| EXTERIOR | D-Rings |
| Block Heater | Fibreglass Tonneau Cover |
| Hood Deflector | Hard/Soft Trifold Tonneau Cover |
| Licence Plate Cover | |
| Locking Fuel Cap | |
| Roof Rack | |



Bed Extender



Bed Mat



Side Step Bars



Bluetooth®



Hood Deflector



All-Season Mats



Locking Fuel Cap



Bed Divider



Towing Accessories



Fibreglass Tonneau Cover



Hard Trifold Tonneau Cover



D-Rings

ACCESSORY SHOWN Tacoma dressed up with a Hood Deflector.

Discover more with Toyota

At Toyota, our goal is to continuously make things better for you. That's why we offer a wide range of programs and services before and after your vehicle purchase designed to help make your Toyota experience the best it can be.



Fewer emissions and pollutants.¹ More kilometres on less fuel. And power and performance second to none. Available in Prius, Camry and Highlander, these latest generation Toyota hybrids offer you the best of all worlds.



Toyota Dealers are dedicated to making the experience of owning a Toyota both satisfying and rewarding. We service your Toyota the way we built it. So you can count on quality parts and professional service.



If you're looking at leasing or financing, we're here to help. We provide competitive interest rates, flexible terms, and an easy online pre-approval process. The toughest decision should be choosing which Toyota you want. Visit us at www.toyotafinancialservices.ca.



Enhance your Toyota ownership experience by joining Club Toyota – a complimentary and exclusive online service for Toyota owners. Benefit from an abundance of interactive, convenient services, and information conveniently at your fingertips. Register today at clubtoyota.ca.



With Extra Care Protection you receive inflation protected coverage from mechanical failures, road emergencies, and much more. It's affordable peace of mind. Consult your Toyota Dealer for details.



The Toyota Mobility program is dedicated to addressing the transportation needs of Toyota Owners who have a disability, or know a family member with a disability or mobility issue. The program offers cash assistance, resource information and financing for adaptive equipment for their vehicle.



All new Toyota cars and trucks include a full tank of gas, roadside assistance and floor mats.



Toyota Graduate Program This program assists new graduates in their purchase of a New or Certified Used Toyota. The program differs depending on the model chosen. Be sure to ask your Dealer when purchasing your Toyota. Some conditions may apply.

¹Compared against similarly equipped conventional gasoline powered vehicles. Based on North American sales data and Federal Tier 2 engine emission requirements.

Working together to make things better.

Through education, inspiration, financial support and a long standing commitment to the environment, Toyota Canada is proud to contribute to various community programs that are devoted to the betterment of our planet. To learn more about how we are working to make things better, visit us at Toyota.ca



Photo: Joshua Berson



Photo: Evergreen – Jane Churchill



Toyota Evergreen Learning Grounds
Toyota Canada Inc. and its Dealerships partnered with Evergreen in 2000 to create the Toyota Evergreen Learning Grounds Program, that is transforming Canadian school grounds into natural learning environments. For more information visit evergreen.ca



Toyota Earth Day Scholarship Program
Toyota Canada Inc. and Earth Day Canada established the Toyota Earth Day Scholarship Program in 2003 to recognize and reward graduating high school students who have distinguished themselves through environmental, volunteer and academic excellence. Each year, 15 scholarships are awarded coast to coast, allowing Canada's future environmental leaders to continue their studies. For more information visit earthday.ca



Special Olympics Canada
Toyota Canada Inc. and its Dealers are National Sponsors of Special Olympics Canada, which is dedicated to making a difference in the lives of Special Olympics athletes. Toyota Canada Inc. reaches out to Special Olympics athletes whenever possible through participation in events at a local, regional, provincial and national level. For more information visit specialolympics.ca

2010 Tacoma 4x4 Features

INTERIOR	Access Cab		Double Cab	
	4-cyl	V6	V6 6M	V6 5A
AM/FM CD/MP3/WMA Player, Audio Auxiliary Input Jack, XM® Satellite Ready Antenna w/Prewire, 6-Speakers	●	●	●	●
Air Conditioning	●	●	●	●
Rear Seat Heated Ducts	-	-	●	●
Fabric Seat Material, Fabric Door Trim, Fabric Headliner	●	●	●	●
Front Bucket Seats	●	●	●	●
Driver & Front Passenger Recline	●	●	●	●
Driver Seat Lumbar Support	-	-	●	●
Front Passenger Fold-Down Seat Back	-	-	●	●
Rear Jump Seats w/Fold-Up Rear Seat Cushions	●	●	-	-
60/40 Split Rear Bench Seat w/Fold-Down Seat Back	-	-	●	●
Front Seat Vertically Adjustable Headrests	●	●	-	-
All-Position Vertically Adjustable Headrests	-	-	●	●
Power Windows w/Driver Side Auto Down	●	●	●	●
Power Door Locks	●	●	●	●
Tachometer, Water Temperature Gauge	●	●	●	●
4WD Indicator	●	●	●	●
4-Spoke Tilt, Telescopic Steering Wheel	●	●	●	●
Driver Footrest	●	●	●	●
Carpeting, Carpet Floor Mats	●	●	●	●
CONVENIENCE				
Digital Clock	●	●	●	●
Front Centre Console Box, Overhead Console Box	●	●	●	●
2nd Row Centre Console Box	●	●	-	-
Storage Under Rear Seat	●	●	●	●
Overhead Sunglass Storage	●	●	●	●
Front & Rear Cup Holders	●	●	●	●
Accessory Power Outlet	●	●	●	●
Door Map Pockets	●	●	●	●
Map Lamps	-	-	●	●

● = Standard ○ = Optional -- = Not Available

SAFETY	Access Cab		Double Cab	
	4-cyl	V6	V6 6M	V6 5A
Dual-Stage Driver & Front Passenger Airbag Supplemental Restraint System (SRS) ¹	●	●	●	●
Front Passenger Airbag Occupancy Classification Indicator	●	●	●	●
Front Seat-Mounted Side Airbags (SRS) ²	●	●	●	●
Roll-Sensing Front & Rear Head/Side Curtain Airbags (SRS) ³	●	●	●	●
Front Seatbelt Pre-Tensioners & Force Limiters	●	●	●	●
All-Position 3-Point Lap & Shoulder Belts	●	●	●	●
Front Seatbelt Anchor Height Adjusters	●	●	●	●
Anchor Points for Child Restraint Seats	●	●	●	●
Child Protector Rear Door Locks	-	-	●	●
Active Front Headrests w/Whiplash Protection	●	●	●	●
Engine Immobilizer	●	●	●	●
Front Tow Hook	●	●	●	●
Assist Grips	●	●	●	●
Low Fuel, Low Oil Level Warning Indicators	●	●	●	●
Tire Pressure Monitoring System	●	●	●	●
EXTERIOR				
16" Styled Steel Wheels	●	●	●	●
Standard Bed (6.1 feet)	●	●	-	●
Short Bed (5.0 feet)	-	-	●	-
Side Window Defoggers	●	●	●	●
Rear Step Bumper, Front & Rear Splash Guards	●	●	●	●
Fender Flares	●	●	●	●
Dual Manual Control Mirrors	●	●	-	-
Dual Power Adjustable Mirrors	-	-	●	●
2-Speed Wipers w/Mist Feature	●	●	●	●
Halogen Headlamps	●	●	●	●
Light Emitting Diode (LED) Rear Taillamps	●	●	●	●
Cargo Bed Tie-Downs, Tie-Down Cleats	●	●	●	●
Double Wall Cargo Bed	●	●	●	●
Composite (SMC) Cargo Bed	●	●	●	●
Removable Tailgate	●	●	●	●

PACKAGES	Access Cab		Double Cab	
	4-cyl	V6	V6 6M	V6 5A
Access Cab SR5 Power Package:				
16" Aluminum Alloy Wheels, Wheel Locks, Steering Wheel Audio Controls, Driver Seat Lumbar Support, Front Passenger Seat Fold-Down Seat Back, Sliding Rear Window, Rear Privacy Glass, Cruise Control, Power Door Locks, Chrome Rear Bumper, Chrome Grille, Coloured Front Bumper, Colour-Keyed Fender Flares, Power Adjustable Mirrors, Dual Vanity Mirrors, Variable Intermittent Wipers, Leather-Wrapped Steering Wheel & Shift Knob, Metallic Dash Accents, Keyless Entry, Illuminated Entry	○	○	-	-
Access Cab TRD Off-Road Package:				
Access Cab SR5 Power Package plus: Rear Differential Lock, Fuel Tank & Transfer Case Protector Plates, Increased Towing 2948 kg (6500 lb), P265/70R16 Raised White Letter Mud & Snow Tires, Transmission Cooler (Automatic Only), Engine Oil Cooler, Upgraded Alternator, Class IV Towing Hitch, 7-Pin Trailer Wire Harness, In-Dash 6-Disc CD Changer, Front Sport Seats, Front Seat Back Pockets, Auto-Dimming Rear View Mirror w/Backup Camera, 400 Watt (115 Volt) Cargo Bed Power Outlet, Digital Compass, Outside Temperature Gauge, TRD Decals, Black Headlamp Surround, Fog Lamps, Key Lockout Protection, Active Traction Control (A-TRAC)	-	○	-	-
Double Cab SR5 Power Package:				
16" Aluminum Alloy Wheels, Wheel Locks, Steering Wheel Audio Controls, Sliding Rear Window, Rear Privacy Glass, Cruise Control, Chrome Rear Bumper, Chrome Grille, Coloured Front Bumper, Colour-Keyed Fender Flares, Auto-Dimming Rear View Mirror w/Backup Camera, Dual Vanity Mirrors, Variable Intermittent Wipers, Leather-Wrapped Steering Wheel & Shift Knob, Metallic Dash Accents, Illuminated Entry	-	-	○	○
Double Cab TRD Sport Package:				
Double Cab SR5 Power Package plus: Increased Towing 2948 kg (6500 lb), P265/65R17 Tires, 17" Aluminum Alloy Wheels, Transmission Cooler (Automatic Only), Engine Oil Cooler, Upgraded Alternator, Class IV Towing Hitch, 7-Pin Trailer Wire Harness, In-Dash 6-Disc CD Changer, Front Sport Seats, Front Seat Back Pockets, Driver Seat Lumbar Support, Colour Bumpers, Colour-Keyed: Mirrors, Grille, Door Handles; Hood Scoop, 400 Watt (115 Volt) Cargo Bed Power Outlet, Digital Compass, Outside Temperature Gauge, TRD Decals, Black Headlamp Surround, Fog Lamps	-	-	○	○
Double Cab TRD Sport & Leather Package:				
Double Cab Sport Package plus: Leather Seat Surfaces, Simulated Leather Door Trim, Heated Driver Passenger Seats	-	-	○	○

2010 Tacoma 4x4 Specifications

MECHANICAL	Access Cab		Double Cab	
	4-cyl	V6	V6 6M	V6 5A
Engine				
2.7 Litre, 4-Cylinder, DOHC, 16-Valve, Variable Valve Timing w/intelligence (VVT-i), Sequential Multiport Electronic Fuel Injection	●	-	-	-
4.0 Litre, V6, DOHC, 24-Valve, Variable Valve Timing w/intelligence (VVT-i), Sequential Multiport Electronic Fuel Injection	-	●	●	●
Engine Oil Cooler, Upgraded Alternator	-	○	○	○
Compression Ratio				
9.6:1	●	-	-	-
10.0:1	-	●	●	●
Horsepower				
159 hp [118 kW] @ 5200 rpm	●	-	-	-
236 hp [176 kW] @ 5200 rpm	-	●	●	●
Torque				
180 lb.ft. [244 N.m.] @ 3800 rpm	●	-	-	-
266 lb.ft. [361 N.m.] @ 4000 rpm	-	●	●	●
Suspension				
Front: Coil Spring Double-Wishbone Suspension	●	●	●	●
Rear: Multi-Leaf Spring Suspension w/Staggered Outboard-Mounted Gas Shock Absorbers	●	●	●	●
Front/Rear: Bilstein Shock Absorbers	●	●	●	●
Drivetrain				
4WD Part Time, 2-Speed Transfer Case, Automatic Disconnecting Differential (ADD), One Touch 4WD, Engine Undercover, Vehicle Stability Control (VSC)	●	●	●	●
Rear Differential Lock, Fuel Tank & Transfer Case Protector Plates, Active Traction Control (A-TRAC)	-	○	-	-
Automatic Limited Slip Differential	●	●	●	●
Transmission				
5-Speed, Manual, Overdrive	●	-	-	-
6-Speed, Manual, Overdrive	-	●	●	-
5-Speed, Automatic, Electronically Controlled Transmission (ECT), Overdrive, Lock-Up Torque Converter	-	○	-	●
Brakes				
Power-Assisted, Ventilated Front Discs, Rear Drums, Antilock Braking System (ABS) w/Electronic Brake-force Distribution (EBD), Brake Assist (BA)	●	●	●	●
Steering				
Rack & Pinion w/Variable Power Assist	●	●	●	●
Tires				
P245/75R16, All-Season Radials, Full-Size Spare	●	●	●	●
P265/70R16, Mud & Snow, Raised White Letter, Full-Size Spare	-	○	-	-
P265/65R17, All-Season Radials, Full-Size Spare	-	-	○	○

● = Standard ○ = Optional -- = Not Available

DIMENSIONS	mm (in.)	Access Cab		Double Cab	
		4-cyl	V6	V6 6M	V6 5A
Length	5286 (208.1) 5621 (221.3)	●	●	●	-
Width	1895 (74.6)	●	●	●	●
Height (Unloaded)	1775 (69.9) 1781 (70.1)	●	●	-	-
Cargo Bed Length	1866 (73.5) 1531 (60.2)	●	●	-	●
Cargo Bed Width	1054 (41.5) (Between Wheel Wells)	●	●	●	●
Cargo Bed Depth	457 (18.0)	●	●	●	●
Wheelbase	3246 (127.8) 3570 (140.5)	●	●	●	-
Track	Front: 1600 (63.0) Rear: 1610 (63.4)	●	●	●	●
Seating Capacity	4 5	●	●	-	-
Headroom	Front: 1014 (39.9) Rear: 894 (35.2) Rear: 975 (38.4)	●	●	●	●
Legroom	Front: 1060 (41.7) Rear: 716 (28.2) Rear: 829 (32.6)	●	●	●	●
Shoulder Room	Front: 1466 (57.7) Rear: 1466 (57.7) Rear: 1506 (59.3)	●	●	●	●
Ground Clearance	240 (9.4)	●	●	●	●
Approach Angle	(degrees) 35	●	●	●	●
Departure Angle	(degrees) 25	●	●	●	●

GROSS VEHICLE WEIGHT	kg (lb.)	Access Cab		Double Cab	
		4-cyl	V6	V6 6M	V6 5A
	2427 (5350)	●	●	-	-
	2472 (5450)	-	-	●	●
CURB WEIGHT	kg (lb.)				
Manual	1799 (3965) 1844 (4065)	●	●	-	-
Automatic	1810 (3990) 1880 (4145)	-	○	-	-
TOWING CAPACITY	kg (lb.)				
	1587 (3500) 2268 (5000) 2948 (6500)	●	-	-	-
PAYLOAD ³	kg (lb.)				
	655 (1444) 547 (1205) 544 (1200) 522 (1150)	●	-	-	-
TURNING CIRCLE	m (ft.)				
	13.2 (43.3) 14.2 (46.5)	●	●	●	-
FUEL CAPACITY	litres (gal)				
	80 (17.6)	●	●	●	●
FUEL CONSUMPTION RATING ²	L/100 km	mpg			
City/Highway/Combined					
Manual	12.0/9.1/10.7	24/31/26	●	-	-
	14.7/10.8/12.9	19/26/22	-	●	●
Automatic	13.4/9.9/11.8	21/29/24	-	○	-

2010 Tacoma 4x2 Features

	Access Cab
INTERIOR	
AM/FM CD/MP3/WMA Player, Audio Auxiliary Input Jack, XM® Satellite Ready Antenna w/Prewire, 6-Speakers	●
Fabric Seat Material, Fabric Door Trim, Fabric Headliner	●
Front Bucket Seats	●
Driver & Front Passenger Recline	●
Rear Jump Seats w/Fold-Up Rear Seat Cushions	●
Front Seat Vertically Adjustable Headrests	●
Power Windows w/Driver Side Auto Down	●
Power Door Locks	●
Tachometer, Water Temperature Gauge	●
Passenger Vanity Mirror	●
4-Spoke Tilt, Telescopic Steering Wheel	●
Driver Footrest	●
Carpeting, Carpet Floor Mats	●

	Access Cab
CONVENIENCE	
Digital Clock	●
Front Centre Console Box, Overhead Console Box, 2nd Row Centre Console Box	●
Storage Under Rear Seat	●
Overhead Sunglass Storage	●
Front & Rear Cup Holders	●
Accessory Power Outlet	●
Front Seat Back Pockets	●
Door Map Pockets	●
Map Lamps	●

● = Standard ○ = Optional

	Access Cab
SAFETY	
Dual-Stage Driver & Front Passenger Airbag Supplemental Restraint System (SRS) ¹	●
Front Passenger Airbag Occupancy Classification Indicator	●
Front Seat-Mounted Side Airbags (SRS) ¹	●
Roll-Sensing Front & Rear Head/Side Curtain Airbags (SRS) ²	●
Front Seatbelt Pre-Tensioners & Force Limiters	●
All-Position 3-Point Lap & Shoulder Belts	●
Front Seatbelt Anchor Height Adjusters	●
Anchor Points for Child Restraint Seats	●
Active Front Headrests w/Whiplash Protection	●
Engine Immobilizer	●
Front Tow Hook	●
Assist Grips	●
Low Fuel, Low Oil Level Warning Indicators	●
Tire Pressure Monitoring System	●

	Access Cab
EXTERIOR	
15" Styled Steel Wheels	●
Side Window Defoggers	●
Rear Step Bumper, Rear Splash Guards	●
Dual Manual Control Mirrors	●
2-Speed Wipers w/Mist Feature	●
Halogen Headlamps	●
Light Emitting Diode (LED) Rear Taillamps	●
6-Foot Cargo Bed	●
Cargo Bed Tie-Downs, Tie-Down Cleats	●
Double Wall Cargo Bed	●
Composite (SMC) Cargo Bed	●
Removable Tailgate	●

	Access Cab
PACKAGES	
Access Cab Air Conditioning Package:	
Air Conditioning	○
Access Cab SRS Power Package:	
Air Conditioning, Driver Seat Lumbar Support, Front Passenger Seat Fold-Down Seat Back, Sliding Rear Window, Rear Privacy Glass, Cruise Control, Chrome Rear Bumper, Chrome Grille, Colour-Keyed Front Bumper, Power Adjustable Mirrors, Dual Vanity Mirrors, Variable Intermittent Wipers, Leather-Wrapped Steering Wheel & Shift Knob, Metallic Dash Accents, 400 Watt [115 Volt] Cargo Bed Power Outlet, Keyless Entry, Steering Wheel Audio Controls	○

2010 Tacoma 4x2 Specifications

	Access Cab
MECHANICAL	
Engine	
2.7 Litre, 4-Cylinder, DOHC, 16-Valve, Variable Valve Timing w/intelligence (VVT-i), Sequential Multipoint Electronic Fuel Injection	●
Compression Ratio	
9.6:1	●
Horsepower	
159 hp [118 kW] @ 5200 rpm	●
Torque	
180 lb.ft. [244 N.m.] @ 3800 rpm	●
Suspension	
Front: Coil Spring Double-Wishbone Suspension	●
Rear: Multi-Leaf Spring Suspension w/Staggered Outboard-Mounted Gas Shock Absorbers	●
Drivetrain	
Rear-Wheel Drive	●
Vehicle Stability Control (VSC), Traction Control (TRAC)	●
Automatic Limited Slip Differential	●
Transmission	
5-Speed, Manual, Overdrive	●
4-Speed, Automatic, Electronically Controlled Transmission (ECT), Overdrive, Lock-Up Torque Converter	○
Brakes	
Power-Assisted, Ventilated Front Discs, Rear Drums, Antilock Braking System (ABS) w/Electronic Brake-force Distribution (EBD), Brake Assist (BA)	●
Steering	
Rack & Pinion w/Variable Power Assist	●
Tires	
P215/70R15, All-Season Radials, Full-Size Spare	●

● = Standard ○ = Optional

	Access Cab
DIMENSIONS	
Length	5286 [208.1]
Width	1835 [72.2]
Height (Unloaded)	1670 [65.7]
Cargo Bed Length	1866 [73.5]
Cargo Bed Width	1054 [41.5] (Between Wheel Wells)
Cargo Bed Depth	457 [18.0]
Wheelbase	3246 [127.8]
Track	Front: 1550 [61.0]
	Rear: 1550 [61.0]
Seating Capacity	4
Headroom	Front: 1014 [39.9]
	Rear: 894 [35.2]
Legroom	Front: 1060 [41.7]
	Rear: 716 [28.2]
Shoulder Room	Front: 1466 [57.7]
	Rear: 1466 [57.7]
Ground Clearance	206 [8.1]
Approach Angle	[degrees] 27
Departure Angle	[degrees] 20

¹All Toyota vehicles shown in this brochure, have Supplemental Restraint Systems (SRS) which, depending on the model, may include driver and front passenger airbags, front seat-mounted side airbags or side curtain airbags. For important safety information about the Supplemental Restraint System in a vehicle, please see the Owner's Manual or contact your local Toyota Dealer.

²These estimates are based on the Government of Canada's approved criteria and testing methods. The actual fuel consumption of this vehicle may vary. Refer to the Government of Canada publication *EnerGuide Fuel Consumption Guide*.

³Payload = Passengers, Equipment, Luggage and Cargo.

⁴Toyota tests certain phones for compatibility with Bluetooth® technology. Please see your Toyota Dealer for details. Note that the recommendation of Toyota is not a warranty of the performance for any phone and that some problems may occur with any type of handset based on the service coverage available in your area.

	Access Cab
GROSS VEHICLE WEIGHT	kg (lb.)
	2200 [4850]
CURB WEIGHT	kg (lb.)
Manual	1583 [3490]
Automatic	1592 [3510]
TOWING CAPACITY	kg (lb.)
	1587 [3500]
PAYLOAD³	kg (lb.)
	567 [1250]
TURNING CIRCLE	m (ft.)
	13.6 [44.6]
FUEL CAPACITY	litres (gal)
	80 [17.6]
FUEL CONSUMPTION RATING²	
	L/100 km mpg
City/Highway/Combined	
Manual	10.5/7.8/9.3 27/36/30
Automatic	11.0/7.9/9.6 26/36/29

Toyota Canada Inc. Every effort has been made to ensure the specifications and equipment shown are accurate based on information available at time of printing. In some cases, certain changes in production capacity, standard equipment, options or product delays may occur which would not be reflected in this brochure. Toyota Canada Inc. reserves the right to make these changes without notice or obligation. The Toyota website toyota.ca – or your Toyota Dealer is your best source for up-to-date information.



Yaris Hatchback



Camry Hybrid



RAV4



4Runner



Yaris



Prius



Highlander



Sequoia



Corolla



Venza



Highlander Hybrid



Tacoma



Matrix



Avalon



FJ Cruiser



Tundra



Camry



Sienna

Our Toyota dealers realize that building a lasting relationship is about more than just selling a vehicle. That's why our approachable staff is always happy to assist you, whatever your need may be. To find a Dealer nearest you, visit toyota.ca



Toyota recognizes its duty to safeguard the environment. Please recycle.

